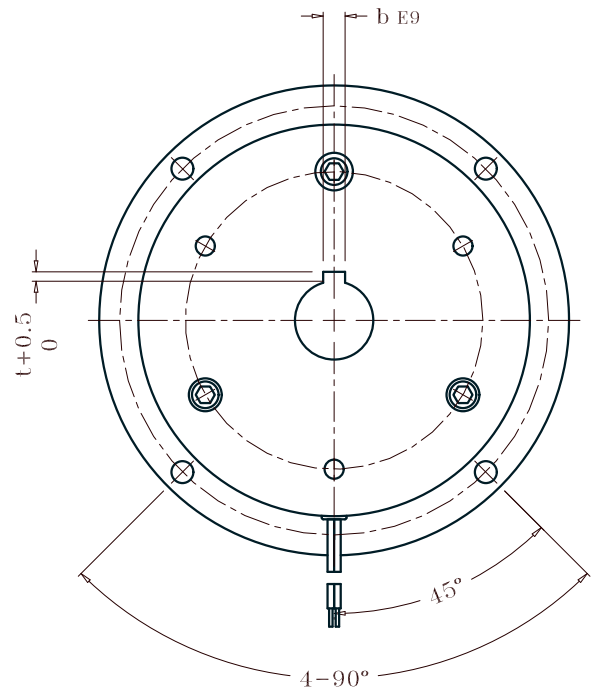
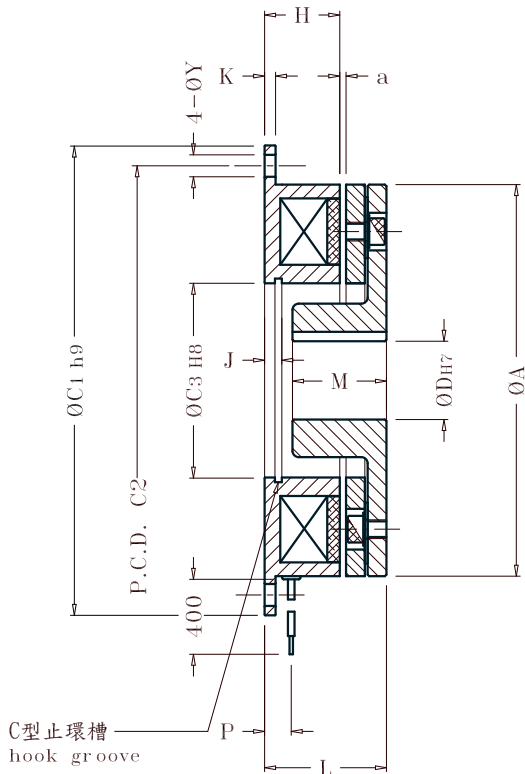


# HELISTAR

## EBF-2-□□

電磁制動器(法蘭安裝型)

Brake (Flange Type)



| 型號 Model        | 0.6  | 1.5       | 2.5       | 5         | 10                                     | 20                                     | 40                                    |
|-----------------|------|-----------|-----------|-----------|--|--|---------------------------------------|
| 徑向尺寸 (Diameter) | A    | 63        | 80        | 100       | 125                                    | 160                                    | 250                                   |
|                 | C1   | 80        | 100       | 125       | 150                                    | 190                                    | 290                                   |
|                 | C2   | 72        | 90        | 112       | 137                                    | 175                                    | 270                                   |
|                 | C3   | 35        | 42        | 52        | 62                                     | 80                                     | 125                                   |
|                 | Y    | 5         | 6         | 7         | 7                                      | 9.5                                    | 11.5                                  |
| 軸向尺寸 (Length)   | H    | 18        | 20        | 22        | 24                                     | 26                                     | 35                                    |
|                 | J    | 3.5       | 4.3       | 5         | 5.5                                    | 6                                      | 8                                     |
|                 | K    | 2.1       | 2.6       | 3.1       | 3.6                                    | 4.1                                    | 6.1                                   |
|                 | L    | 25.5      | 28.5      | 33        | 37                                     | 42                                     | 59                                    |
|                 | M    | 15        | 20        | 25        | 30                                     | 38                                     | 54                                    |
|                 | P    | 7.3       | 8.3       | 9         | 9.3                                    | 11.7                                   | 16                                    |
|                 | a    | 0.2 ±0.05 | 0.2 ±0.05 | 0.2 ±0.05 | 0.3 <sup>+0.05</sup> / <sub>-0.1</sub> | 0.3 <sup>+0.05</sup> / <sub>-0.1</sub> | 0.5 <sup>+0.0</sup> / <sub>-0.2</sub> |
| 鍵 (Key)         | D    | 12        | 15        | 20        | 25                                     | 30                                     | 50                                    |
|                 | b    | 4         | 5         | 5         | 7                                      | 10                                     | 15                                    |
|                 | t    | 1.5       | 2         | 2         | 3                                      | 3.5                                    | 5                                     |
| 質量 weight       | 0.32 | 0.58      | 1.07      | 1.97      | 3.45                                   | 7.10                                   | 12.20                                 |